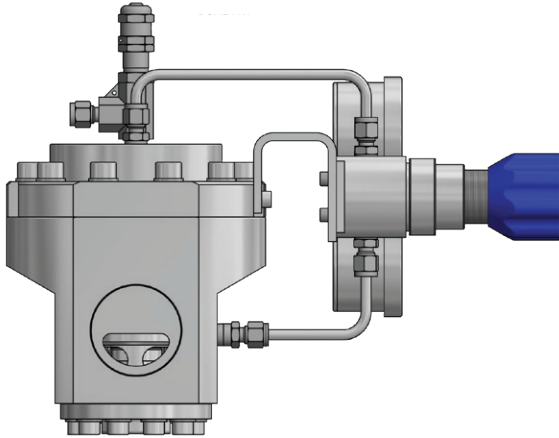


# HF211 Datasheet

## HIGH-FLOW PRESSURE REGULATOR



Gas  
  Liquid  
  Diaphragm  
  Piston  
  Self-Venting  
  Non-Venting  
 Max Inlet: 210 bar (3,045 psi)  
 Max Outlet: 200 bar (2,900 psi)  
 Cv 13.0



### INTRODUCING THE HF211...

The HF211 is a dome-loaded, piston-sensed high-flow pressure regulator for gas or liquid applications. The liquid version includes a PEEK™ seat, whilst the gas version features PCTFE seating. With a Cv of 13.0, it is perfect for high-flow applications.

The HF211 is fitted with a pilot as standard (MF101 for up to 35 bar / 510 psi outlet pressure and LF540 for over 35 bar / 510 psi and up to 200 bar / 2,900 psi) - please contact the office before placing your order if you do not require a pilot.

### SPECIFICATION

Max. Rated Inlet Pressure	210 bar (3,045 psi)
Outlet Ranges	Up to 200 bar (2,900 psi)
Design Proof Pressure	150% max. working pressure
Seat Leakage	In accordance with ANSI/FCI 70-3
Weight	kg (lbs)

### STANDARD MATERIALS OF CONSTRUCTION

PART	MATERIALS
Body and Bonnet	ASTM A479 316/316L Stainless Steel (UNS S31600/S31603)
Main Valve Pin	ASTM A479 316/316L Stainless Steel
Soft Seat	PEEK™ (450G) PCTFE (Kel-F)
Valve Spring	Inconel® X750 (UNS N07750)
Piston	ASTM A479 316/316L Stainless Steel
O-Rings	NBR N70 (Nitrile Buna N)
Loading Spring	ASTM A240 301 Stainless Steel (UNS S30100)

*Note:* Pressure regulator rating may be limited by connection type, Cv and/or seat material. Contact the office for specific pressure or temperature requirements.

### FEATURES AND BENEFITS

<b>1</b> PILOT-OPERATED AS STANDARD	<b>2</b> PISTON SENSING ELEMENT	<b>3</b> HIGH FLOW COEFFICIENT	<b>4</b> SUITABLE FOR GAS OR LIQUID APPLICATIONS
Fitted as standard with MF101 or LF540 pilot, or choose to order without to suit your application.	Perfect for use in challenging conditions.	CV 13.0 for high-flow capabilities.	Versatile usage across a range of media-types.

**NOTE:** Product availability and specifications contained herein are subject to change without notice. Consult local distributor or factory for potential revisions and/or service related issues. Pressure Tech Ltd support with product selection recommendations only - it is the users responsibility to ensure the product is suitable for their specific application requirements.



**PRESSURE TECH LTD**  
 Unit 24, Graphite Way, Hadfield, Glossop, Derbyshire, UK, SK13 1QH  
 T +44 (0)1457 899 307  
 E [sales@pressure-tech.com](mailto:sales@pressure-tech.com)  
 W [www.pressure-tech.com](http://www.pressure-tech.com)

DESIGNED, MANUFACTURED AND BUILT IN THE UK

190923

PAGE:  
1 OF 4

# HF211 Datasheet

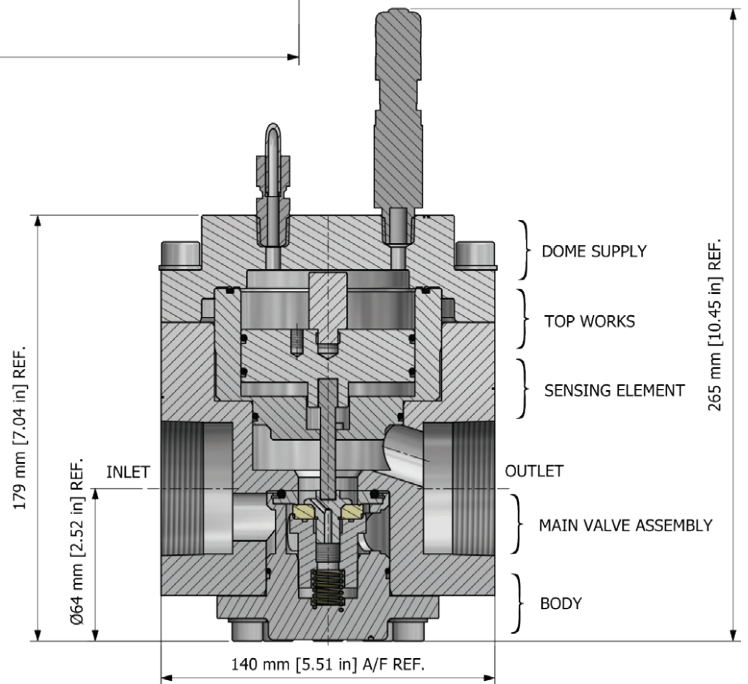
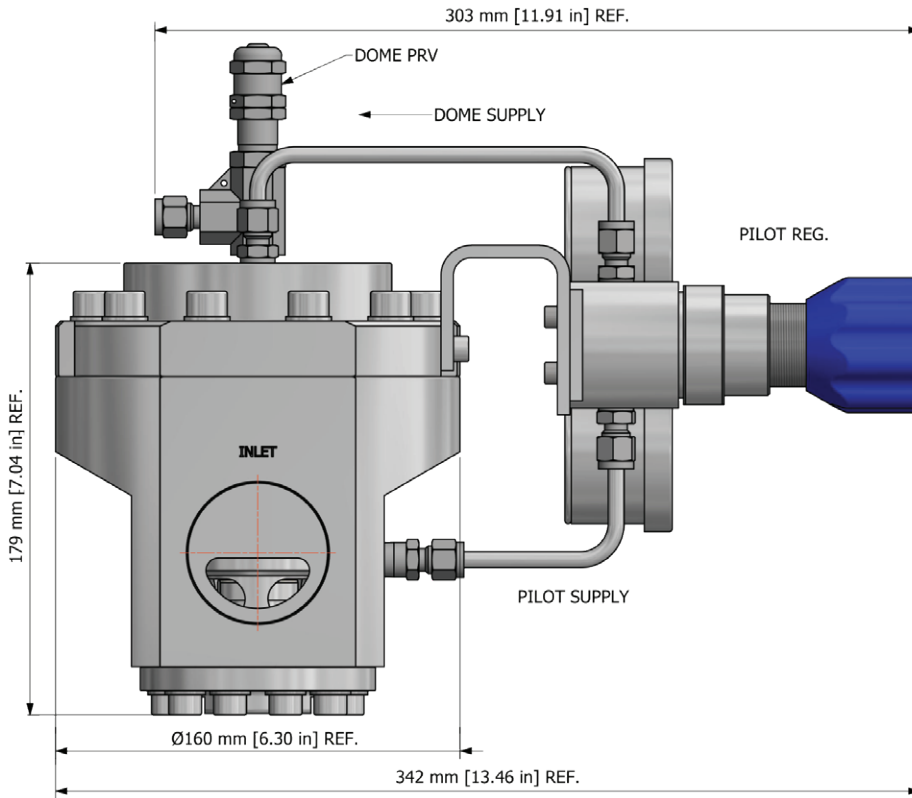
HIGH-FLOW PRESSURE REGULATOR



Gas  
  Liquid  
  Diaphragm  
  Piston  
  Self-Venting  
  Non-Venting  
 Max Inlet: 210 bar (3,045 psi)  
 Max Outlet: 200 bar (2,900 psi)  
 Cv 13.0

## DRAWINGS AND INSTALLATION DIMENSIONS

Dimensions shown for 2" NPT option and standard configurations only - please contact the office for other options.



**Note:**  
All gauge ports are 1/4" NPT as standard.

**NOTE:** Product availability and specifications contained herein are subject to change without notice. Consult local distributor or factory for potential revisions and/or service related issues. Pressure Tech Ltd support with product selection recommendations only - it is the users responsibility to ensure the product is suitable for their specific application requirements.



**PRESSURE TECH LTD**  
 Unit 24, Graphite Way, Hadfield, Glossop, Derbyshire, UK, SK13 1QH  
 T +44 (0)1457 899 307  
 E [sales@pressure-tech.com](mailto:sales@pressure-tech.com)  
 W [www.pressure-tech.com](http://www.pressure-tech.com)

DESIGNED, MANUFACTURED AND BUILT IN THE UK

190923

PAGE:  
2 OF 4

# HF211 Datasheet

HIGH-FLOW PRESSURE REGULATOR

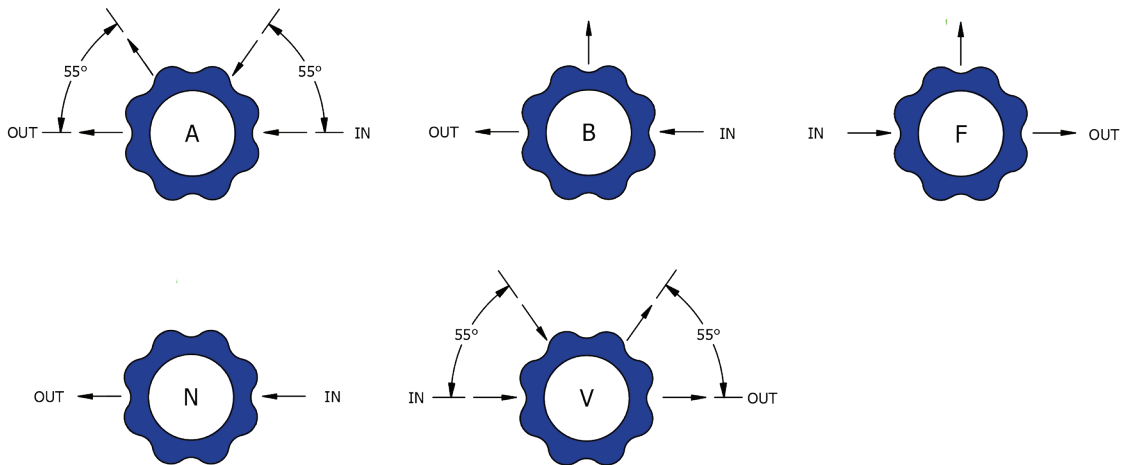


● Gas ● Liquid | ● Diaphragm ● Piston | ● Self-Venting ● Non-Venting | Max Inlet: 210 bar (3,045 psi) | Max Outlet: 200 bar (2,900 psi) | Cv 13.0

## FLOW CURVE

Please contact the office for further information.

## PORTING CONFIGURATIONS



### Notes:

Additional porting configurations are available - please contact the office for further information.  
One gauge to be used with extension bar if mounted directly.

**NOTE:** Product availability and specifications contained herein are subject to change without notice. Consult local distributor or factory for potential revisions and/or service related issues.  
Pressure Tech Ltd support with product selection recommendations only - it is the users responsibility to ensure the product is suitable for their specific application requirements.



**PRESSURE TECH LTD**  
Unit 24, Graphite Way, Hadfield, Glossop, Derbyshire, UK, SK13 1QH  
T +44 (0)1457 899 307  
E [sales@pressure-tech.com](mailto:sales@pressure-tech.com)  
W [www.pressure-tech.com](http://www.pressure-tech.com)

DESIGNED, MANUFACTURED AND BUILT IN THE UK

190923

PAGE:  
3 OF 4

# HF211 Datasheet

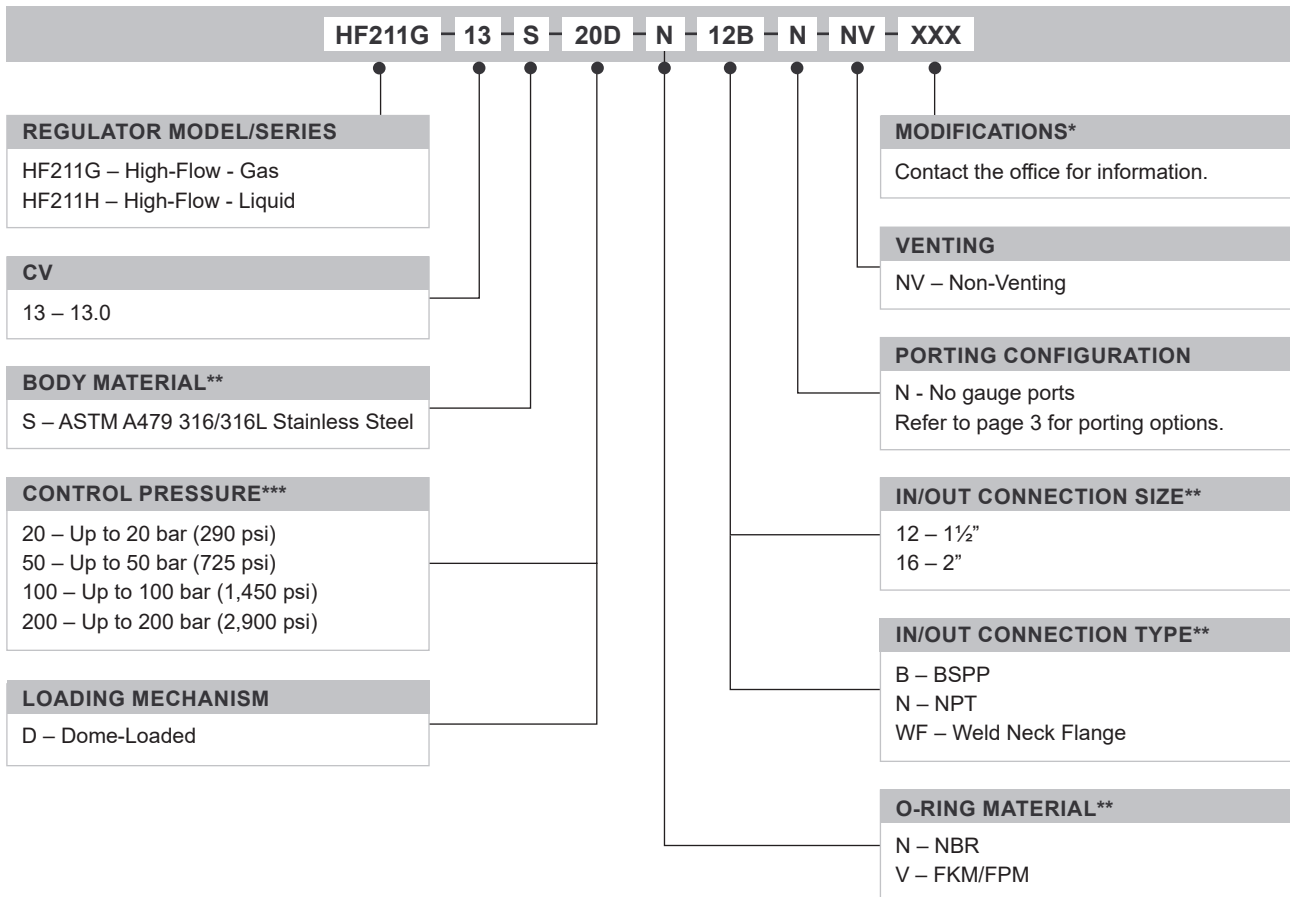
## HIGH-FLOW PRESSURE REGULATOR



Gas  
  Liquid  
  Diaphragm  
  Piston  
  Self-Venting  
  Non-Venting  
 Max Inlet: 210 bar (3,045 psi)  
 Max Outlet: 200 bar (2,900 psi)  
 Cv 13.0

### ORDERING INFORMATION

To build a Pressure Tech part number, simply combine the characters identified below in sequence:



### OPTIONAL EXTRAS

	PART NUMBER	DESCRIPTION
Service Kit	SRK-HF211...	Various options available
Panel Mounting Ring	PT-C-024	-

*Note:* Ancillary Equipment and additional Service Kit options also available.

**TRADEMARKS:** Inconel® is a registered trademark of Inco Alloys International  
PEEK™ is a trademark of Victrex PLC

\* Where applicable

\*\* Other connections/materials may be available - please contact the office

\*\*\* MF101 pilot for control pressure <35 bar (510 psi) / LF540 pilot for control pressure >35 bar (510 psi)

**NOTE:** Product availability and specifications contained herein are subject to change without notice. Consult local distributor or factory for potential revisions and/or service related issues.  
Pressure Tech Ltd support with product selection recommendations only - it is the users responsibility to ensure the product is suitable for their specific application requirements.



#### PRESSURE TECH LTD

Unit 24, Graphite Way, Hadfield, Glossop, Derbyshire, UK, SK13 1QH  
 T +44 (0)1457 899 307  
 E [sales@pressure-tech.com](mailto:sales@pressure-tech.com)  
 W [www.pressure-tech.com](http://www.pressure-tech.com)

DESIGNED, MANUFACTURED AND BUILT IN THE UK

190923

PAGE:  
4 OF 4